

MSCM SUPPORTING THE OIL & GAS INDUSTRY

MANUFACTURER OF SUBSEA PRODUCTS FOR THE
OIL AND GAS INDUSTRY WORLDWIDE

UMBILICAL TERMINATION HEAD (UTH)



F5629596

ELECTRO-HYDRAULIC
UTH



Tel: +44 (0) 1494 513223 Fax +44 (0) 1494 527173
Web: www.mscomltd.co.uk Email: sales@mscomltd.co.uk

**Coronation Road, Cressex Business Park,
High Wycombe, Bucks, HP12 3TA**



SUPPORTING THE OIL AND GAS INDUSTRY

UMBILICAL TERMINATION HEAD (UTH)

FULL PRODUCT SPECIFICATION

Umbilical termination head (UTH) make it possible to terminate umbilical lines and provide multiple connections for chemical, hydraulic, electrical and fibre optic services subsea.

This particular design coils the electrical lines on the outside of the drum to allow for a quick and simple release when subsea. This method also helps prevent the hoses from becoming entangled during installation.

DESIGN FEATURES

- 🔧 Multi lifting points designed and tested in accordance with DNV 2.7-3
- 🔧 2m minimum installation height
- 🔧 Anti-rotation hose fittings
- 🔧 Butt welded hose fittings
- 🔧 Electrical protection cage
- 🔧 Allows for electrical connectors

Vertical / Lateral Orientation	$\pm 75\text{mm}$
Azimuth / Elevation	Z Axis $\pm 10^\circ$
Bearing	Y Axis $\pm 10^\circ$
	X Axis $\pm 10^\circ$

- 🔧 Fully qualified
- 🔧 Full project list available on request



W.L.L 1200kg

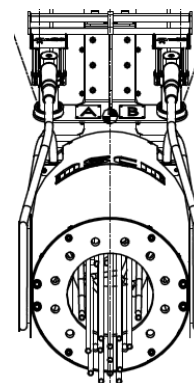
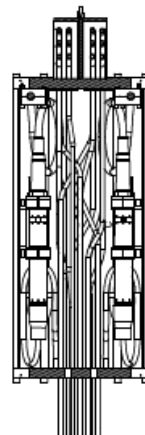
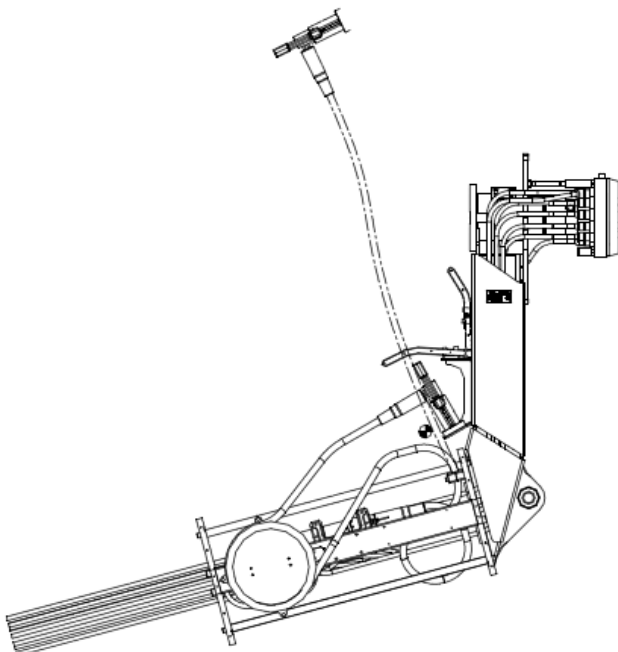


W.L.L 5mT

GENERAL	
Number of Couplings	Up to 26
Coupling Size	Various
Design Depth	3000m
Lockdown Mechanism Separation Force	218 kN
Maximum Pressure	Up to 15000psi
Design Life	30 Years
Applicable Standard	ISO13628-6/7/8

MATERIALS	
Male & Female Stabplates	UNS S31803
Lock Down Interaction – Drive Screw	HIDURON 130
Lock Down Interaction – Recepticle	UNS S318103 / UNS S32760
ROV Buckets	ST. STL 316L

WEIGHT & DIMENSIONS	
OD of Stabplate	$\varnothing 300 / \varnothing 350$
Length	1.6m
Weight – Female Stabplate	356kg



SUPPORTING THE OIL AND GAS INDUSTRY