

MSCM SUPPORTING THE OIL & GAS INDUSTRY

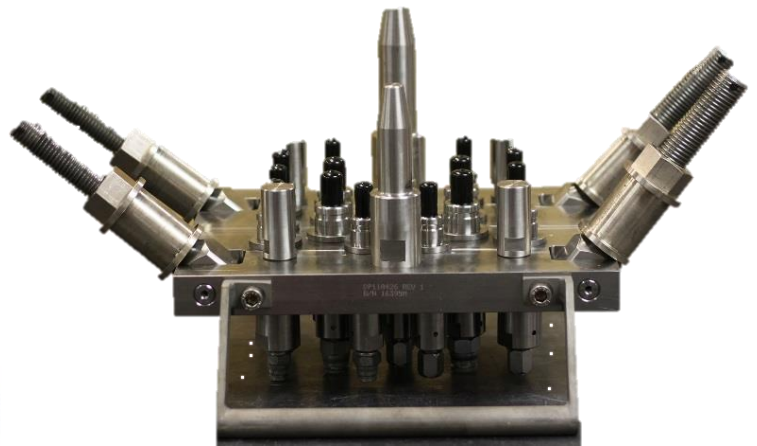
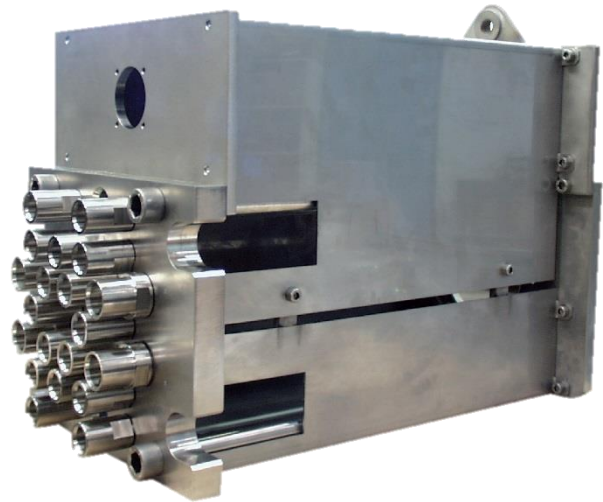
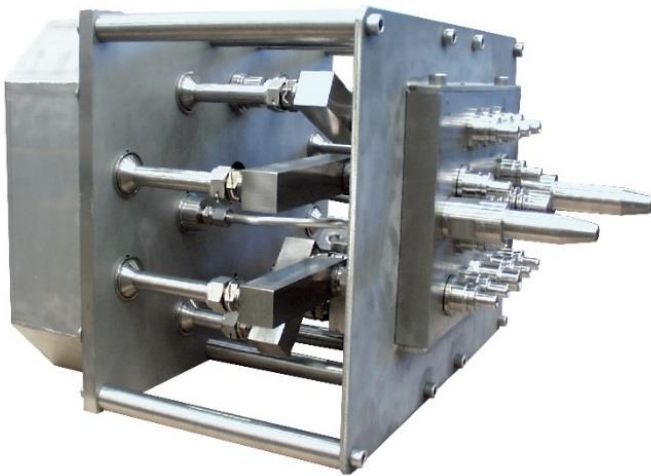
MANUFACTURER OF SUBSEA PRODUCTS FOR THE
OIL AND GAS INDUSTRY WORLDWIDE

DIVER STABPLATE ASSEMBLIES



FS629596

CENTRAL
LOCKING



SWINGBOLT



Tel: +44 (0) 1494 513223 Fax +44 (0) 1494 527173
Web: www.mscmltd.co.uk Email: sales@mscmltd.co.uk

Coronation Road, Cressex Business Park,
High Wycombe, Bucks, HP12 3TA



SUPPORTING THE OIL AND GAS INDUSTRY

DIVER-MATEABLE STABPLATE ASSEMBLIES

FULL PRODUCT SPECIFICATION

Diver mateable multiple quick connect (MQC) stabplates are designed to be integrated to a HFL. The plate is designed in two mating halves to be operated by personnel. An outboard plate terminates to the flying lead, and an inboard plate on the topside/subsea hardware.

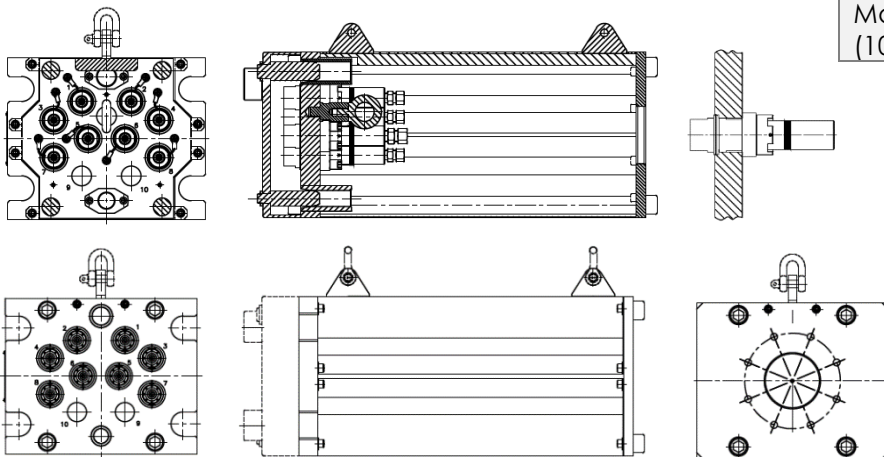
Options include LTPC, male parking plate, male and female test and flushing plates, plus any project specific requirements.

DESIGN FEATURES

- 🔒 Locking options
- 🔒 Swingbolt plates
- 🔒 High population options – capacity up to 40 way
- 🔒 Integrated carrier frames for female plates
- 🔒 LTPC's, parking, test & flushing plates
- 🔒 Mate and de-mate under full working pressure
- 🔒 Lifting points designed / tested in accordance with DNV 2.7-3
- 🔒 Material certification options EN.10204 3.1 / 3.2
- 🔒 Full project list available on request



W.L.L 200kg



GENERAL	
Coupling Population	Up to 40
Coupling Size	Various
Maximum Working Pressure	Up to 15000psi
Design Life	30 Years
Applicable Standards	ISO13628-6/7/8

MATERIALS	
Male & Female Stabplates	UNS S31803
Swingbolt Nut	UNS S31803
Swingbolt	UNS C72420 / Hiduron 130
Central Spigot	Nitronic 50 HS
Drive Shaft	UNS S31803

WEIGHT & DIMENSIONS	
Typical DIM of Stabplate (Dependant on Coupling Population)	320mm x 260mm
Female Stabplate (10 Way Populated)	55kg
Male Stabplate (10 Way Populated)	35kg