

**MSCM SUPPORTING THE OIL & GAS INDUSTRY**

MANUFACTURER OF SUBSEA PRODUCTS FOR THE  
OIL AND GAS INDUSTRY WORLDWIDE

## ROV SELF SEALING MONO COUPLINGS



F5629596



Tel: +44 (0) 1494 513223

Fax +44 (0) 1494 527173

Web: [www.mscltd.co.uk](http://www.mscltd.co.uk) Email: [sales@mscltd.co.uk](mailto:sales@mscltd.co.uk)

**Coronation Road, Cressex Business Park,  
High Wycombe, Bucks, HP12 3TA**



**SUPPORTING THE OIL AND GAS INDUSTRY**

# ROV SELF SEALING MONO COUPLINGS

## FULL PRODUCT SPECIFICATION

Individual male and female self sealing hydraulic couplings which allow deployment and intervention using a work class free flying ROV.

The male fixed coupling is attached to the sub-sea structure and is self sealing with a metal poppet. The female free coupling is a self-sealing metal poppet with dual resilient seals on the retrievable half. Seal selection is dependent on chemical / fluid types. The couplings are designed for system pressure make and break by R.O.V.

## DESIGN FEATURES

- 🔧 Coated ROV handle for visibility / durability subsea
- 🔧 Carrier frame for jumper
- 🔧 Parking receptacles
- 🔧 Long term dummies

### Handle Types:

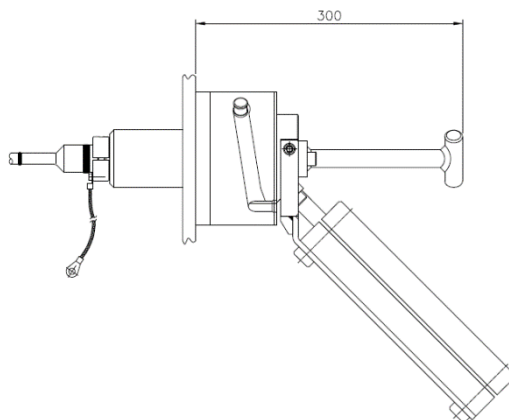
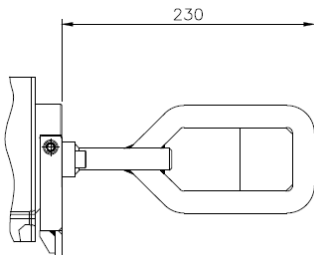
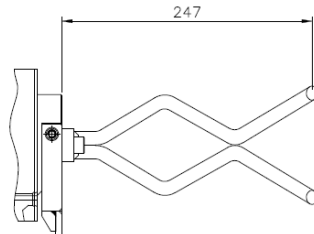
- T-Type
- D-Type
- Fishtail

### Coupling Types:

- Non-Vented
- Vented
- Poppetless

### Seal Materials:

- Nitrile 90°
- Elast-o-lion
- Chemraz 510
- Kalrez 4079
- Kalrez 0090
- Viton



GENERAL	
Maximum Working Pressure	690 BAR (10000psi)
Break Out Force	1000m Depth = 1.7kN
Nominal Bore Size	3/8" (9.52mm)
CV (Depending on End Fitting)	1.9 Max
Make up Force – No Line Pressure	150N Spring Force
Separation Force	160 x Line Pressure (N/mm)
Seawater Break Open	15 BAR

MATERIALS	
MALE	NITRONIC 50 HS
FEMALE	ST STL 316L

WEIGHT & DIMENSIONS	
Male Location Ring	Ø150mm
Weight Female (Ex. carrier frame)	6kg
Weight Male	8.5kg

